

ACTUATORS AND VALVES

ACTUATORS

TERMINAL UNIT VALVE ACTUATORS

VA-7080

THERMAL ON/OFF CONTROL

The VA-7080 Terminal Unit Valve Actuators series provide ON/OFF and DAT control in HVAC application.

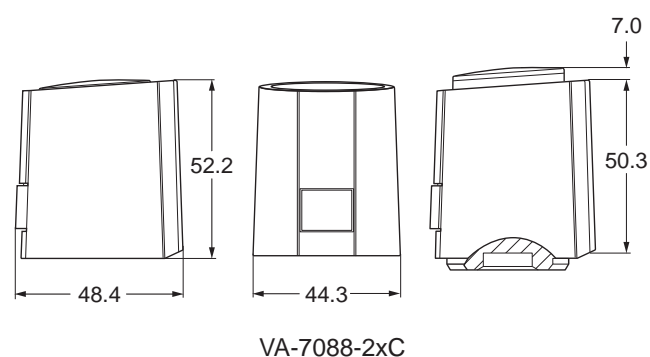
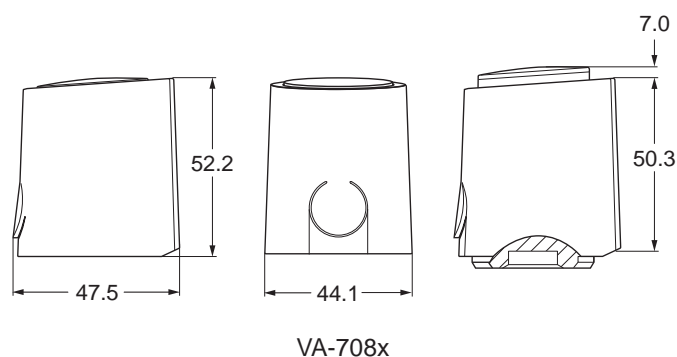
The compact design of these actuators make them suitable for installations in confined spaces, such as fan-coil applications.

The VA-7080 Actuators are designed for field mounting onto all Johnson Controls Terminal Unit Valves: VG3000, VP1000 (see *pertinent Product Bulletins*).

FEATURES

- 24 VAC/DC and 230 VAC power supply
- ON/OFF or DAT controls
- NC version (stem retracts when energized)
- NO version (stem extends when energized)
- Easy mounting solution
- Factory mounted cable 1.5 m
- Models with auxiliary switch

DIMENSIONS (in mm)





ACTUATORS

VA-7080 TERMINAL UNIT VALVE ACTUATORS

ORDERING INFORMATION

CODES	SUPPLY VOLTAGE	ACTION CONTROL	FORCE	STROKE	FACTORY SETTING	MOUNTING THREAD	PROTECTION CLASS	PACKAGING	POWER CONSUMPTION		AUXILIARY SWITCHES	
									Continuous	Start-up		
VA-7081-21	24 VAC/VDC	ON/OFF or DAT	100 N	5.0 mm	Normally closed (stem retracts when energized) 2 m cable length	M28x1.5	IP54	Single packaged in carton box	1 W	<300 mA during max 2 min.	---	
VA-7088-21						M30x1.5						
VA-7081-23	230 VAC					M28x1.5						<550 mA during 100 ms. max
VA-7088-23						M30x1.5						
VA-7080-21	24 VAC/VDC				Normally open (stem extends when energized) 2 m cable length	M28x1.5				<300 mA during max 2 min.		
VA-7087-21						M30x1.5						
VA-7080-23	230 VAC					M28x1.5				<550 mA during 100 ms. max		
VA-7087-23						M30x1.5						
VA-7088-21C	24 VAC/VDC				Normally closed (stem retracts when energized) 2 m cable length	M30x1.5				<300 mA during max 2 min.		■
VA-7088-23C	230 VAC									<550 mA during 100 ms. max		■

ACCESSORIES (ORDER SEPARATELY)

CODES	DESCRIPTION
VA50	Adapter for VG6000
VA64	Adapter for VP1000

SPARE PARTS

CODES	DESCRIPTION
VA80	Standard adapter M30 x 1.5 for VG3000 and V5000, included in the product package
VA17	Standard adapter M28 x 1.5 for VG5000 and VG4000, included in the product package



ACTUATORS

VA-7080 TERMINAL UNIT VALVE ACTUATORS

ADAPTER SELECTION GUIDE FOR JOHNSON CONTROLS VALVES

VALVE	ACTUATOR	ADAPTER	NOTE
VG3000	VA-7087-2x	---	Included in the actuator packaging
	VA-7088-2x	---	Included in the actuator packaging
V5000	VA-7087-2x	---	Included in the actuator packaging
	VA-7088-2x	---	Included in the actuator packaging
VG6000	VA-7087-2x	VA50	To be ordered separately
	VA-7088-2x	VA50	To be ordered separately
VP1000	VA-7080-2x	VA64	To be ordered separately
	VA-7081-2x	VA64	To be ordered separately
VG5000	VA-7080-2x	---	Included in the actuator packaging
	VA-7081-2x	---	Included in the actuator packaging
VG4000	VA-7080-2x	---	Included in the actuator packaging
	VA-7081-2x	---	Included in the actuator packaging